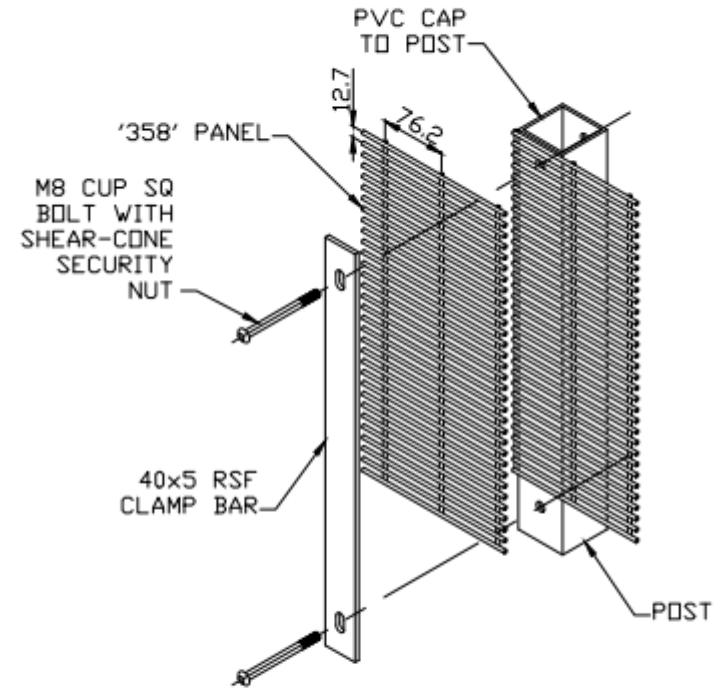


POST CENTRES = 2.440m
 PANEL WIDTH = 2.515m
 '358' MESH
 Ø4 WIRE (NOMINAL)

POST 60x60x2.5 SHS
 x 3200 LG WITH
 NINE FIXING POINTS



Finish	Customer	Job No.
--------	----------	---------