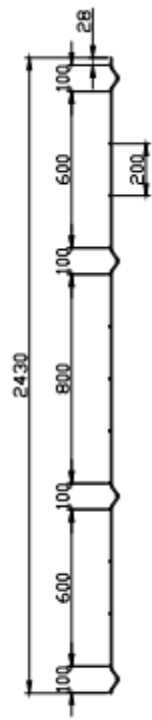
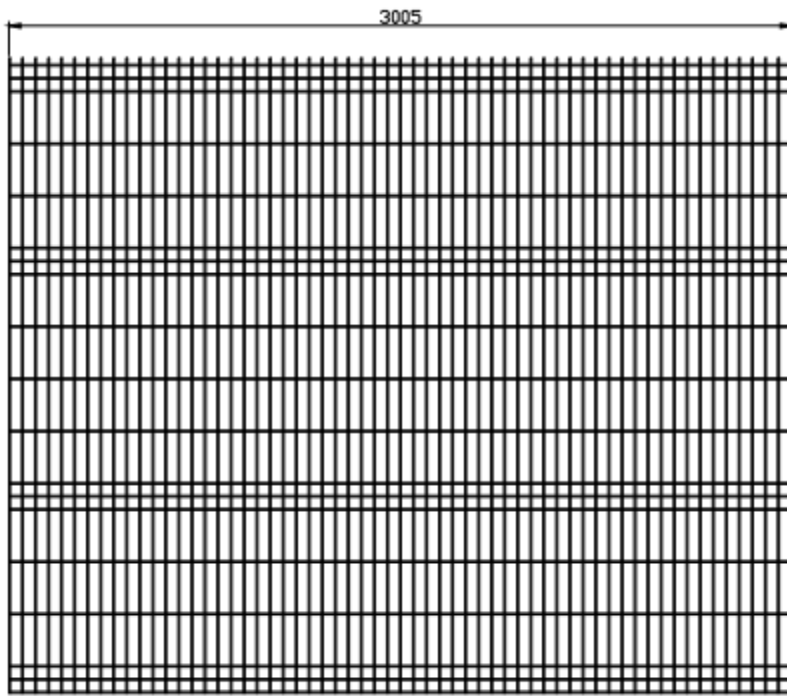


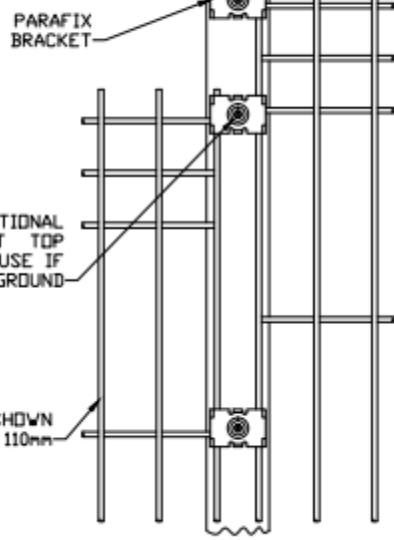
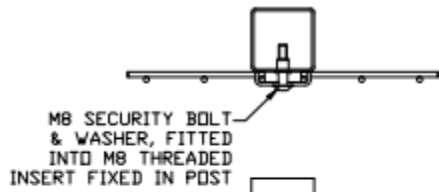
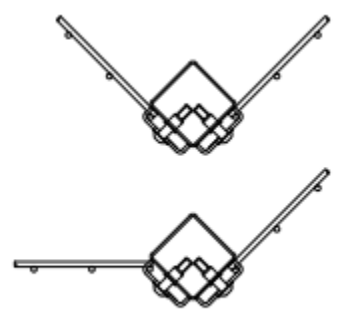
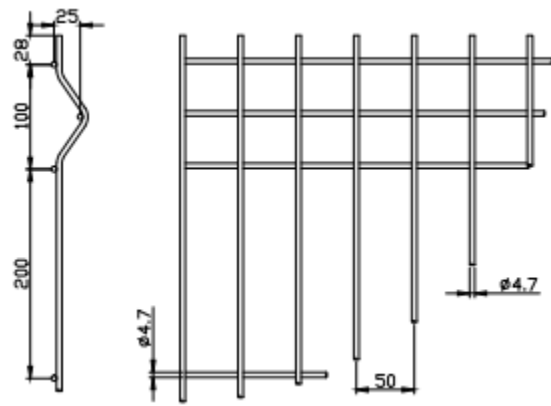
ELEVATION OF 2.43m POST  
(SEVEN STANDARD FIXING POINTS)  
  
PARAMESH 3M



SECTION - 2.43m HIGH PANEL



ELEVATION - 2.43m HIGH PANEL



POSTS HAVE ADDITIONAL 'STEPPING HOLES' AT TOP AND BOTTOM - ONLY USE IF REQ'D ON SLOPING GROUND

THIS PANEL SHOWN STEPPED DOWN 110mm



Finish	Customer	Job No.
--------	----------	---------